

Western Auto Supply Co.

Model: D905

Chassis:

Year: Pre April 1941

Power:

Circuit:

IF:

Tubes:

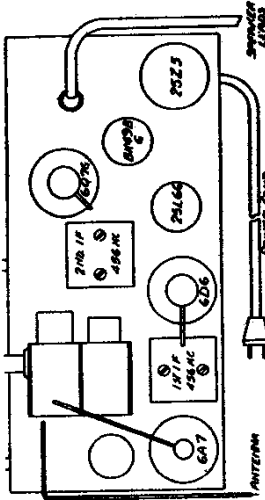
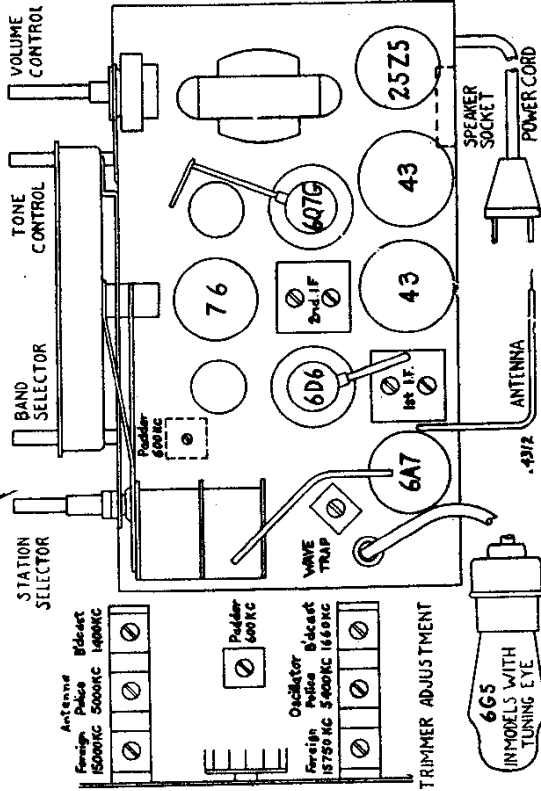
Bands:

Resources

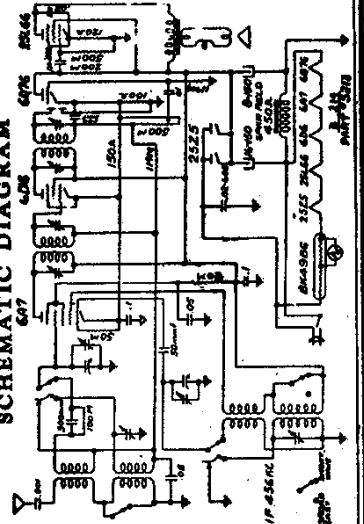
Riders Volume 12 - TRUETONE 12-5

WESTERN AUTO SUPPLY CO.

MODEL D724U
MODEL D905



SCHEMATIC DIAGRAM



MODEL D-905

6A7—Oscillator Translator
6D6—IF Amplifier
6Q7G—Detector-AVC-1st Audio

25Z5—Power Output
43—Rectifier
BK49BG—Ballast

FOR CONVENTIONAL

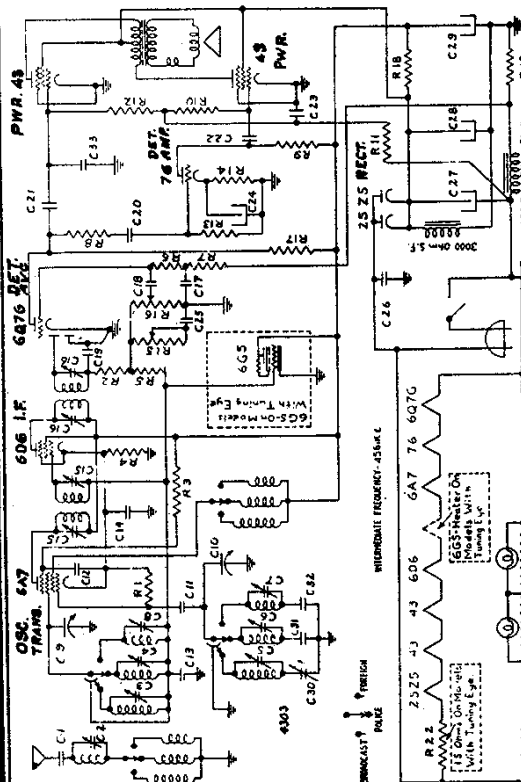
ALIGNMENT, SEE

SPECIAL SECTION

VOLUME VIII

MODEL D-724U

MOD. D724U



Symbol	Part No.	Description	Part No.	Description
C-1	3137	.001-.400 V.	R-10, 12	500 M-1/2 W.-10%
C-2	2559	180 MMF Trimmer	R-11	300 M-1/2 W.-10%
C-3, 4, 5,			R-13	100 M-1/2 W.-10%
6, 7			R-15	2 Meg. Tone Control
C-8	2597	1-10 MMF Trimmer	R-16	500 MV Volume Control
C-9, 10	1611	3-35 MMF Trimmer	R-17	200 M-1/2 W.-10%
C-11, 33	2871	350 MMF Variable	R-18	2886 500 OHM-1 W.-10%
C-12, 13	2780	50 MMF Mica	R-19	3580 100 OHM-.5 W.
C-14, 17	572	1-200 V.	R-20, 21	4296 32 OHM 3 W.
C-15, 16	2445	IF Trimmer		4304 15 OHM—On Eye Models
C-18, 20,			R-22	4301 35 OHM—4W—
21, 22				Wire Wound
C-19	576	.02-400 V.	R-23	802 300 OHM Line Cord
C-23	566	250 MMF Mica		Antenna Coil
C-25	581	.005-600 V.		Band Switch
C-26	2600	.02-600 V.		Oscillator Coil
C-27	4297	20 MF-150 V.		1st IF Transformer
C-24				2nd IF Transformer
C-28	4298	4 MF-18 V.		Filter Choke
C-29				5 Prong Socket
C-30	2560	220-550 MMF Padder		6 Prong Socket
C-31	2741	1330 MMF 5%		7 Prong Socket
C-32	2740	3850 MMF 5%		7 Prong Octal Socket
R-1, 2,	631	50 M-1/2 W., 10%		Pilot Lamp
R-3, 14	4302	20 M-1/2 W., 10%		Pointer
R-4	2689	100 OHM-1/2 W.		Pointing Screw
R-5, 6, 7	624	1 Meg.-1/2 W.		Tuning Eye Cable
R-8	2599	1 Meg.-1/2 W.-10%		Speaker—10"
R-9	4300	250 M-1/2 W.-10%		Speaker—8"