

R.C.A. Victor Co., Inc.

Model: 45X1

Chassis:

Year: Pre June 1940

Power:

Circuit:

IF:

Tubes:

Bands:

Resources

Riders Volume 14 - RCA 14-64

Riders Volume 11 - RCA 11-76

CHANGES, NOTES

RCA MFG. CO., INC.

25X, 34X, 35X

Speakers RL-86-B1, RL-86-B4, 92379-1:

Three different speakers have been used on these models. The replacement parts are listed below:

| Stock No. | Description |
|-----------|------------------------------------|
| | (RL-86-B1, RL-86-B4) |
| 32907 | Cap—Dust cap |
| 39448 | Coil—Field coil—450 ohms. |
| 39447 | Cone—Cone complete with voice coil |

| Stock No. | Description |
|-----------|------------------------------------|
| | (92379-1) |
| 39995 | Coil—Field coil—350 ohms. |
| 39994 | Cone—Cone complete with voice coil |

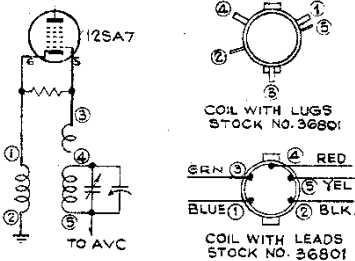
NOTE: If number stamped on your speaker frame does not appear on above list, order part required by description giving number stamped on your speaker and receiver model.

11X1, 35X

Oscillator Coil Connections:

The oscillator coil (Stock No. 36801) drawing, as shown in the service notes of Models 11X1 and 35X, is incorrect.

Two types of Stock No. 36801 coils are in use. One type has terminal lugs, the other has leads. Both types are shown in the accompanying sketch.



Oscillator Coil—Stock No. 36801

36X

Speakers RL-86-B1, RL-86-B4:

Two different speakers have been used on these models. The replacement parts are listed below:

| Stock No. | Description |
|-----------|------------------------------------|
| | (RL-86-B1, RL-86-B4) |
| 32907 | Cap—Dust cap |
| 39448 | Coil—Field coil—450 ohms. |
| 39447 | Cone—Cone complete with voice coil |

NOTE: If number stamped on your speaker frame does not appear on above list, order part required by description giving number stamped on your speaker and receiver model.

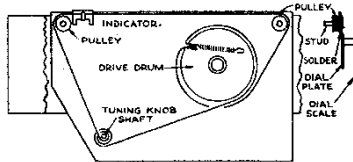
BT-42

Replacement Dial, Pulley, and Shaft:

A complete Dial Assembly (Stock No. 38781) consisting of dial plate, dial scale, pulleys, drive drum, drive cord and spring, shaft, lamp bracket, and terminal strip is available for replacement on the Model BT-42 receiver. However, the original assembly may be brought up to date by replacing the studs and shaft as follows:

File off the two old studs on the dial plate. Tin with solder, the surface (between dial and plate) around the stud holes, and insert the new pulley studs with the heads against the plate. Solder the studs so their heads are flat against the plate and the shanks are at right angles to the plate. The pulleys can now be slipped over the studs with the bearing surface toward the plate. Apply a drop of oil on each stud. Thread the drive cord as shown in the drawing.

| Stock No. | Description | Unit List Price |
|-----------|--|-----------------|
| 38781 | Dial assembly complete (New type, including Stock No. 38783 and 34124) | 2.50 |
| 38783 | Pulley (2 pulleys, 2 studs) | .25 |
| 34124 | Shaft (Shaft and spring washer) | .35 |



Dial Drive, Model BT-42

45X1, 45X2

Cabinet Replacement:

In order to use wooden cabinet Stock Number X912 as an alternate for plastic cabinets Y806 (Model 45X1) or Y807 (Model 45X2), the following is necessary:

- Remove the baffle and grille by removing three screws.
- Separate the grille from the baffle.
- Fasten the grille to the cabinet.
- Remove the two "L" shaped clamps from the wood blocks.
- Insert chassis and fasten by means of two wood screws screwed to blocks.

45X-1, 45X-2

Changes in 2nd Production:

The AVC filter resistor R4 is changed from 2.2 to 3.3 megs, Stock No. 12928. The output tube bias resistor, R8, is changed from 150 to 120 ohms, Stock No. 30189.

46X SERIES

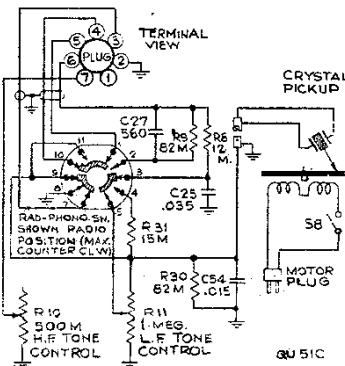
Dial Lamp Burnout:

In Models 46X-1, -2, -3, -11, -12, -13, -21, -23, -24, the dial lamp is Mazda No. 47 (1.5 amp.). In case of frequent burnout, Mazda No. 51 (2 amp.) can be used for replacement.

QU51C

Crystal Pickup Connections:

The schematic "Crystal Pickup Connections (QU51C)" in the QU51C service note is in error in the connections to switch terminals 7, 9, and 11. The correct schematic is shown in the accompanying sketch.



Crystal Pickup Connections, QU51C

QU52C, QU52M

Power Transformer:

Power transformer, Stock No. 32852, is incorrectly described in the Replacement Parts List of the QU52C, QU52M service note. The correct listing is as follows:

| Stock No. | Description | Unit List Price |
|-----------|---|-----------------|
| 32852 | Transformer—Power transformer, 105-125/200-240 volts, 50-60 cycle | 4.50 |

55X

"PM" Speaker 92388-1:

The cone and voice coil for this speaker is Stock No. 39572.

U-123 (TWO BAND TYPE)

Knob Stock Numbers:

In the Service Note for U-123, No. 81855 knob should read "Range-switch or radio-record switch knob." No. 14559 knob should read "tuning knob."

V-100

Phono Compensation Change:

Capacitor C17 across the pickup is changed from .015 to .01 mfd., Stock No. 4937.

V-105

Phono Compensation Change:

C17 and R16, shunted across the pickup are changed from .015 to .01 mfd. (Stock No. 4937), and from 47,000 to 68,000 ohms (Stock No. 13716).

Speaker No. 92322-2:

In some production of V-105, the speaker is stamped 92322-2. The cone and voice coil for this speaker is Stock No. 39536.

V-175

Motorboard Mounting:

In the Replacement Parts, under "Miscellaneous Assemblies," change the Stock No. of mounting spring hardware from 81470 to 39563.

V-175

Low Output and/or Distortion:

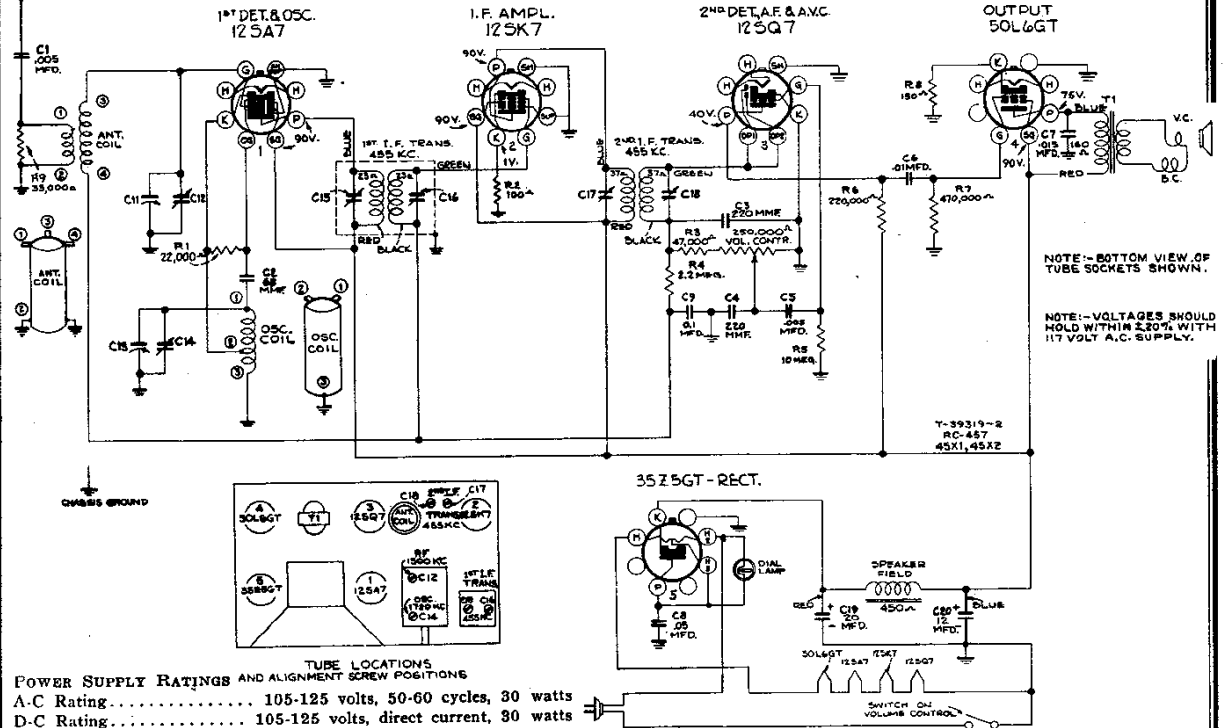
- Check the following—
- Rectifier tube 25Z6GT (slow in coming up to full plate voltage).
 - Output tube 25L6GT (usually accompanied by high hum).
 - Bias cell reversed. The negative side should connect to the grid of the 6SQ7. See accompanying sketch of bias-cell polarity.



ALL PRICES ON THIS AND THE FOLLOWING PAGES ARE SUBJECT TO CHANGE WITHOUT NOTICE

MODELS 45X1, 45X2
Chassis RC457
Schematic, Voltage
Alignment, Socket
Trimmers

RCA MFG. CO., INC.



NOTE—BOTTOM VIEW OF TUBE SOCKETS SHOWN.
 NOTE—VOLTAGES SHOULD HOLD WITHIN ±20% WITH 117 VOLT A.C. SUPPLY.

TUBE LOCATIONS AND ALIGNMENT SCREW POSITIONS
 A.C. Rating..... 105-125 volts, 50-60 cycles, 30 watts
 D.C. Rating..... 105-125 volts, direct current, 30 watts
POWER OUTPUT (125 volt, 60 cycle supply)
 Undistorted..... .6 watts
 Maximum..... 2.0 watts
LOUDSPEAKER
 Type..... 4-inch Electrodynamic

Output Meter Alignment.— Connect the meter across the voice coil, and turn the receiver volume control to maximum.

Test-Oscillator.— Connect the low side of the test-oscillator to the receiver chassis, through a .01 mfd. capacitor, and keep the output as low as possible.

Power-Supply Polarity.— For operation on d-c, the power plug must be inserted in the outlet for correct polarity. If the set does not function, reverse the plug. On a-c, reversal of the plug may reduce hum.

| Steps | Connect the high side of test-oscillator to— | Tune test-osc. to— | Turn radio dial to— | Adjust the following for max. peak output— |
|-------|--|--------------------|-------------------------------------|---|
| 1 | Tuning condenser stator (osc.) in series with .01 mfd. | 455 kc | Quiet point at 1,600 kc end of dial | C15, C16, C17, C18 (1st and 2nd I-F transformers) |
| 2 | Antenna term. of ant. trans. in series with 100 mmfd. | 1,720 kc | Full clockwise (out of mesh) | C14 (oscillator) |
| 3 | | 1,500 kc | Resonance on 1,500 kc signal | C12 (antenna) |

| STOCK No. | DESCRIPTION | Unit List Price | STOCK No. | DESCRIPTION | Unit List Price |
|---------------------------|--|-----------------|--|---|-----------------|
| CHASSIS ASSEMBLIES | | | | | |
| 13057 | Capacitor—88 mmfd. (C2) | .35 | 35118 | Shield—Shield can for I.F. transformer Stock No. 35114 | .35 |
| 12694 | Capacitor—220 mmfd. (C3, C4) | .35 | 32969 | Socket—Dial lamp socket | .25 |
| 33584 | Capacitor—.005 mfd. (C1, C5) | .25 | 31319 | Socket—Tube socket | .25 |
| 4937 | Capacitor—.01 mfd. (C6) | .25 | 30585 | Spring—Drive cord tension spring | .08 |
| 30856 | Capacitor—.015 mfd. (C7) | .90 | 34848 | Transformer—Audio transformer | 1.25 |
| 32787 | Capacitor—.05 mfd. (C8) | .20 | 35114 | Transformer—1st I.F. transformer | 1.20 |
| 4839 | Capacitor—.1 mfd. (C9) | .30 | 33301 | Transformer—2nd I.F. transformer | 1.20 |
| 32578 | Capacitor—Electrolytic comprising 1 section of 20 mfd and 1 section of 12 mfd. | .90 | SPEAKER ASSEMBLIES (39105-505) | | |
| 35115 | Coil—Antenna coil | .80 | 35120 | Cone—Cone complete with voice coil | 1.50 |
| 35116 | Coil—Oscillator coil | .80 | 35119 | Speaker—4-inch dynamic speaker complete | 2.85 |
| 34843 | Condenser—Variable tuning condenser | 2.20 | MISCELLANEOUS ASSEMBLIES (RR-572) | | |
| 35113 | Control—Volume control and power switch | 1.50 | 35122 | Back—Cabinet back for Model 45X1 | .25 |
| 32634 | Cord—Drive cord | .10 | 35125 | Back—Cabinet back for Model 45X2 | .25 |
| 35117 | Drum—Tuning condenser drive drum | .15 | 35124 | Dial—Glass dial scale | 1.00 |
| 11765 | Lamp—Dial lamp | .40 | 33317 | Fastener—Push on fastener | .02 |
| 31183 | Lead—Antenna lead | .50 | 35123 | Knob—Ivory tuning or volume control knob for Model 45X2 | .10 |
| 14439 | Resistor—100 ohms, ½ watt (R2) | .20 | 35121 | Knob—Walnut tuning or volume control knob for Model 45X1 | .10 |
| 30880 | Resistor—150 ohms, ½ watt (R8) | .20 | 35126 | Spring—Retaining spring for knobs Stock No. 35121 and 35123 | .03 |
| 13998 | Resistor—22,000 ohms, ½ watt (R1) | .20 | | | |
| 12412 | Resistor—47,000 ohms, ½ watt (R3) | .20 | | | |
| 19264 | Resistor—220,000 ohms, ½ watt (R6) | .20 | | | |
| 19285 | Resistor—470,000 ohms, ½ watt (R7) | .20 | | | |
| 12679 | Resistor—2.2 megohms, ½ watt (R4) | .20 | | | |
| 13801 | Resistor—10 megohms, ½ watt (R5) | .20 | | | |
| 33305 | Shaft—Condenser drive shaft | .25 | | | |

ALL PRICES ARE SUBJECT TO CHANGE OR WITHDRAWAL WITHOUT NOTICE.